



SHOWER OSCILLATOR

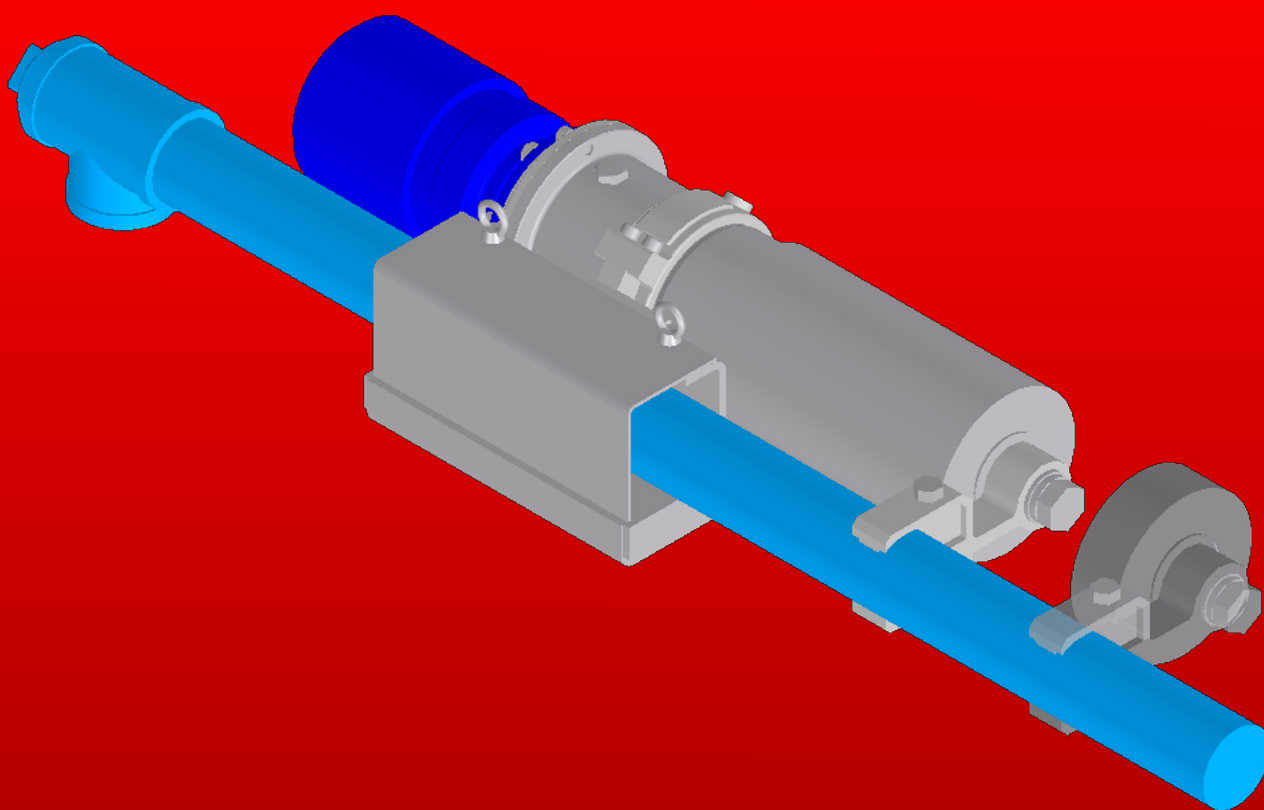
WITH SELF-ALIGNMENT

SL-3B SERIES

Spherical bearing support system greatly reduces power consumption.

Small 100W motor saves energy and space.

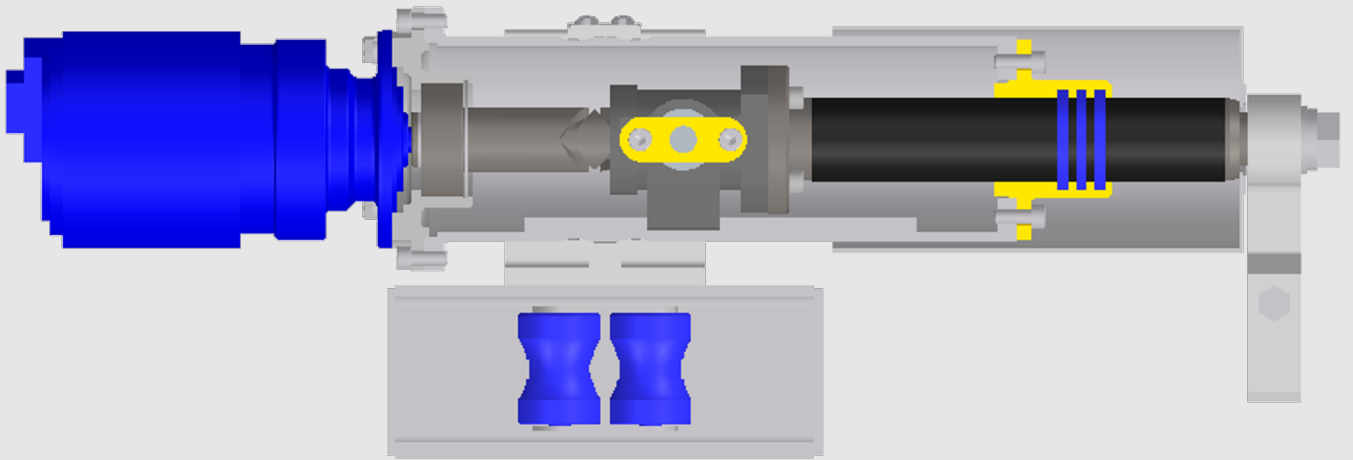
Demonstrates superior durability even under severe conditions.



Removes wire and felt contaminate.

Increases operation efficiency for paper making machines.

Ideal durability.



SHOWER OSCILLATOR SL-3B SERIES

Original spherical bearing support system

The oscillate body is protected from abnormal load by the spherical bearing support, and it makes automatic adjustment.

This device prevents abnormal load on the direct drive unit from shower pipe strain, vibration, and changes in the installation points. This eliminates oscillator breakdown and greatly increases service life.

Designed to save energy and space

The oscillate body is protected from abnormal load by the spherical bearing support, and it makes automatic adjustment.

This device prevents abnormal load on the direct drive unit from shower pipe strain, vibration, and changes in the installation points. This eliminates oscillator breakdown and greatly increases service life.

Easy alignment to shower pipes

Optional choice is possible from among the 4 directions (up, down, left, right) for installation on the shower pipe to the oscillate, it permits far wider positioning range than prior sliders.

Completely sealed lubrication for the drive unit

Oil bath lubrication system used for the drive unit, to prevent oil leakage at oil seals. Superior wear resistance of the ceramic coating at the oscillate rod surface holds down rod wear.

Also, a stainless cover over the rod prevents external water and dust from adhering to the rod surface. This assures complete reliability.

Model	Stroke	Speed		Stroke Number	
		50Hz	60Hz	50Hz	60Hz
SL3B-150	160 ⁰ / ₋₃ mm	1117mm/min	1341mm/min	3.49	4.19
SL3B-200	210 ⁰ / ₋₃ mm	1047mm/min	1257mm/min	2.49	2.99
SL3B-250	260 ⁰ / ₋₃ mm	1134mm/min	1362mm/min	2.18	2.62
SL3B-300	310 ⁰ / ₋₃ mm	1082mm/min	1299mm/min	1.74	2.10



HASEGAWA MACHINERY LIMITED

307 MATSUOKA FUJI-SHI, SHIZUOKA 416-0909 JAPAN

E-Mail : info@hasegawa-ml.co.jp

Web : <http://www.hasegawa-ml.co.jp>